

## Consoles

### Consoles



#### Industry Standards

UL 508A Listed; Type 12, 13; File No. E61997  
cUL Listed per CSA C22.2 No. 94; Type 12, 13; File No. E61997

NEMA/EEMAC Type 12, 13  
CSA File Number 42186: Type 12  
IEC 60529, IP65

#### Application

Consoles are ideal for mounting small control or instrumentation devices where the desirable access requires a 30- or 60-degree surface. These enclosures can be mounted on either of two sides for placement on desktops, pedestals or other flat surfaces.

#### Specifications

- 14 gauge steel
- Seams continuously welded and ground smooth; no holes or knockouts
- Captivated cover screws thread into sealed wells
- Bonding provision on cover
- Oil-resistant gasket and adhesive
- Control panel attached with continuous hinge along bottom edge

#### Finish

ANSI 61 gray polyester powder paint inside and out over phosphatized surfaces.

#### Notes

See the *Stainless Steel* chapter for information on related stainless steel products.

#### Accessories

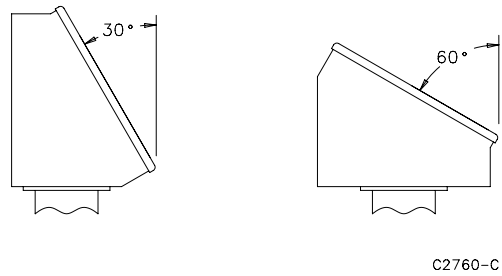
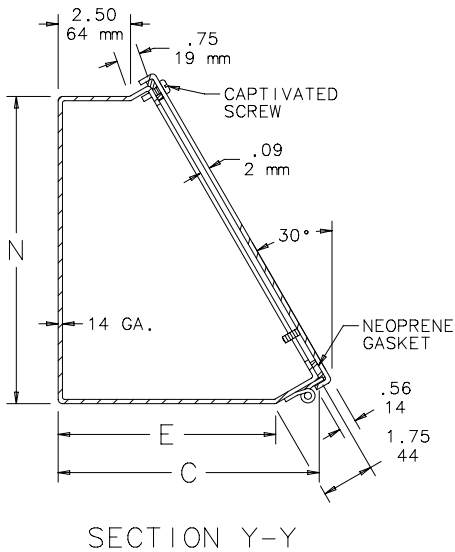
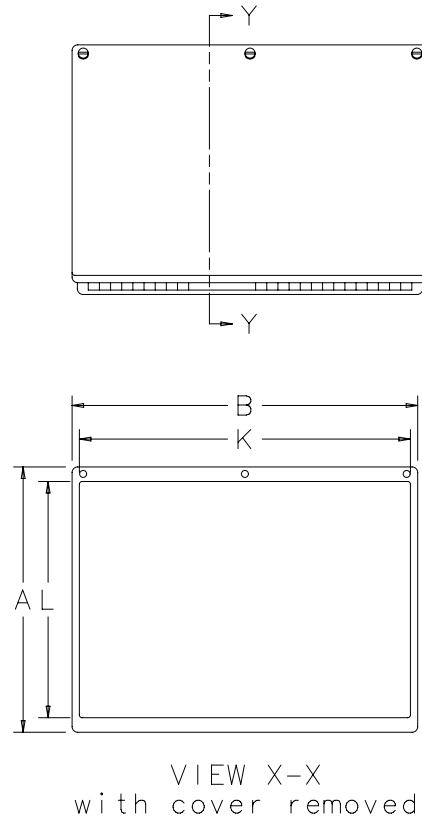
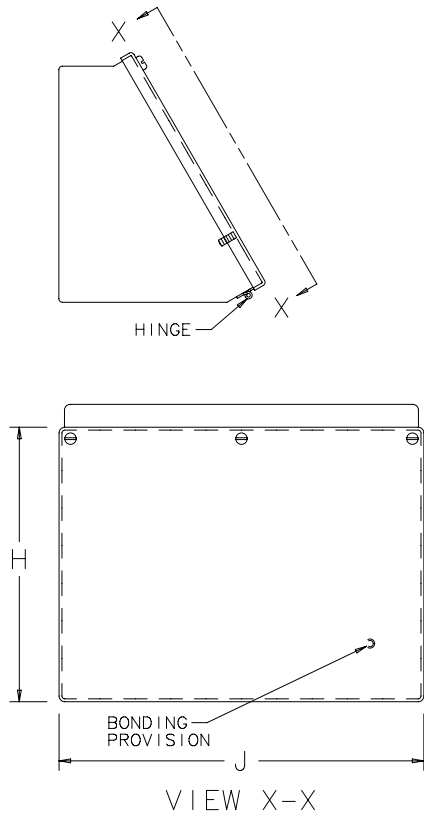
See also *Accessories*.  
Industrial Corrosion Inhibitors  
Latch Kits for Type 4 and 12 Enclosures  
Mounting Bracket Kits  
Touch-Up Paint  
Steel and Stainless Steel Window Kits

Bulletin: C5, P1

#### Standard Product Consoles

| Catalog Number | AxBxC in./mm          | E in./mm | H in./mm | J in./mm | K in./mm | L in./mm | N in./mm |
|----------------|-----------------------|----------|----------|----------|----------|----------|----------|
| <b>C8C8</b>    | 8.00 x 8.00 x 7.09    | 5.62     | 8.28     | 8.28     | 7.50     | 6.62     | 7.44     |
|                | 203 x 203 x 180       | 143      | 210      | 210      | 191      | 168      | 189      |
| <b>C8C12</b>   | 8.00 x 12.00 x 7.09   | 5.62     | 8.28     | 12.28    | 11.50    | 6.62     | 7.44     |
|                | 203 x 305 x 180       | 143      | 210      | 312      | 292      | 168      | 189      |
| <b>C8C16</b>   | 8.00 x 16.00 x 7.09   | 5.62     | 8.28     | 16.28    | 15.50    | 6.62     | 7.44     |
|                | 203 x 406 x 180       | 143      | 210      | 414      | 394      | 168      | 189      |
| <b>C8C20</b>   | 8.00 x 20.00 x 7.09   | 5.62     | 8.28     | 20.28    | 19.50    | 6.62     | 7.44     |
|                | 203 x 508 x 180       | 143      | 210      | 515      | 495      | 168      | 189      |
| <b>C12C12</b>  | 12.00 x 12.00 x 9.09  | 7.62     | 12.28    | 12.28    | 11.50    | 10.62    | 10.91    |
|                | 305 x 305 x 231       | 194      | 312      | 312      | 292      | 270      | 277      |
| <b>C12C16</b>  | 12.00 x 16.00 x 9.09  | 7.62     | 12.28    | 16.28    | 15.50    | 10.62    | 10.91    |
|                | 305 x 406 x 231       | 194      | 312      | 414      | 394      | 270      | 277      |
| <b>C12C20</b>  | 12.00 x 20.00 x 9.09  | 7.62     | 12.28    | 20.28    | 19.50    | 10.62    | 10.91    |
|                | 305 x 508 x 231       | 194      | 312      | 515      | 495      | 270      | 277      |
| <b>C12C24</b>  | 12.00 x 24.00 x 9.09  | 7.62     | 12.28    | 24.28    | 23.50    | 10.62    | 10.91    |
|                | 305 x 610 x 231       | 194      | 312      | 617      | 597      | 270      | 277      |
| <b>C16C16</b>  | 16.00 x 16.00 x 11.09 | 9.62     | 16.28    | 16.28    | 15.50    | 14.62    | 14.38    |
|                | 406 x 406 x 282       | 244      | 414      | 414      | 394      | 371      | 365      |
| <b>C16C20</b>  | 16.00 x 20.00 x 11.09 | 9.62     | 16.28    | 20.28    | 19.50    | 14.62    | 14.38    |
|                | 406 x 508 x 282       | 244      | 414      | 515      | 495      | 371      | 365      |
| <b>C16C24</b>  | 16.00 x 24.00 x 11.09 | 9.62     | 16.28    | 24.28    | 23.50    | 14.62    | 14.38    |
|                | 406 x 610 x 282       | 244      | 414      | 617      | 597      | 371      | 365      |
| <b>C16C30</b>  | 16.00 x 30.00 x 11.09 | 9.62     | 16.28    | 30.28    | 29.50    | 14.62    | 14.38    |
|                | 406 x 762 x 282       | 244      | 414      | 769      | 749      | 371      | 365      |
| <b>C16C36</b>  | 16.00 x 36.00 x 11.09 | 9.62     | 16.28    | 36.28    | 35.50    | 14.62    | 14.38    |
|                | 406 x 914 x 282       | 244      | 414      | 922      | 902      | 371      | 365      |
| <b>C20C20</b>  | 20.00 x 20.00 x 13.09 | 11.62    | 20.28    | 20.28    | 18.62    | 18.62    | 17.84    |
|                | 508 x 508 x 332       | 295      | 515      | 515      | 473      | 473      | 453      |
| <b>C20C24</b>  | 20.00 x 24.00 x 13.09 | 11.62    | 20.28    | 24.28    | 22.62    | 18.62    | 17.84    |
|                | 508 x 610 x 332       | 295      | 515      | 617      | 575      | 473      | 453      |
| <b>C20C30</b>  | 20.00 x 30.00 x 13.09 | 11.62    | 20.28    | 30.28    | 28.62    | 18.62    | 17.84    |
|                | 508 x 762 x 332       | 295      | 515      | 769      | 727      | 473      | 453      |

**Consoles**



Standard Product **Pedestal Columns and Bases for Consoles**

| Catalog Number | AxBxC in./mm        | Description              |
|----------------|---------------------|--------------------------|
| A44CCOL        | 35.00 x 4.00 x 4.00 | Straight Pedestal Column |
| A66CCOL        | 889 x 102 x 102     | Straight Pedestal Column |
| A185BASE       | 35.00 x 6.00 x 6.00 | Straight Pedestal Column |
| A185BASE       | 889 x 152 x 152     | Pedestal Base            |
| A245BASE       | 18.00 x 18.00       | Pedestal Base            |
| A245BASE       | 457 x 457           | Pedestal Base            |
| A245BASE       | 24.00 x 24.00       | Pedestal Base            |
| A245BASE       | 610 x 610           | Pedestal Base            |